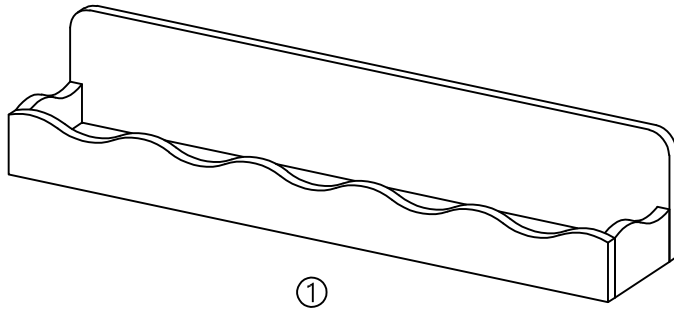


# ASSEMBLY INSTRUCTIONS

## 56675 - WILLOW WALL BOOKSHELF PACK 2

Please read instructions carefully. Remove all wrapping material, staples and packing straps from the carton. See hardware and furniture parts list for guidance. Be sure you have all parts before you start assembling. Place all wooden furniture parts on a clean, flat, soft surface; such as a carpet or rug to prevent the item from being scratched.

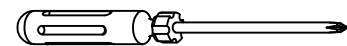
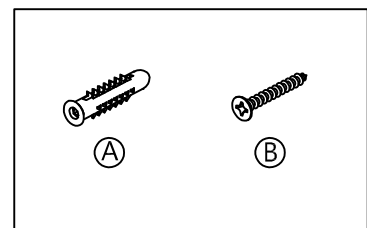
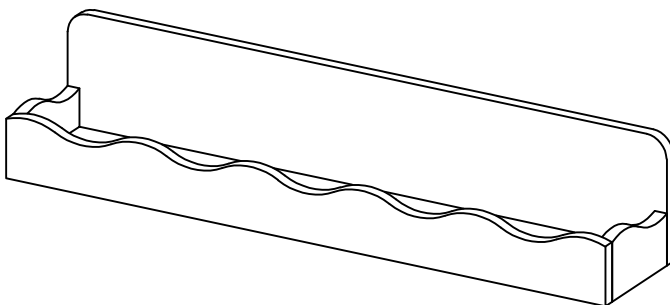


### PARTS INCLUDED

1. Shelf : 2pcs

### HARDWARE LIST

A. Rawl Plug : 4pcs  
 B. Screw : 4pcs



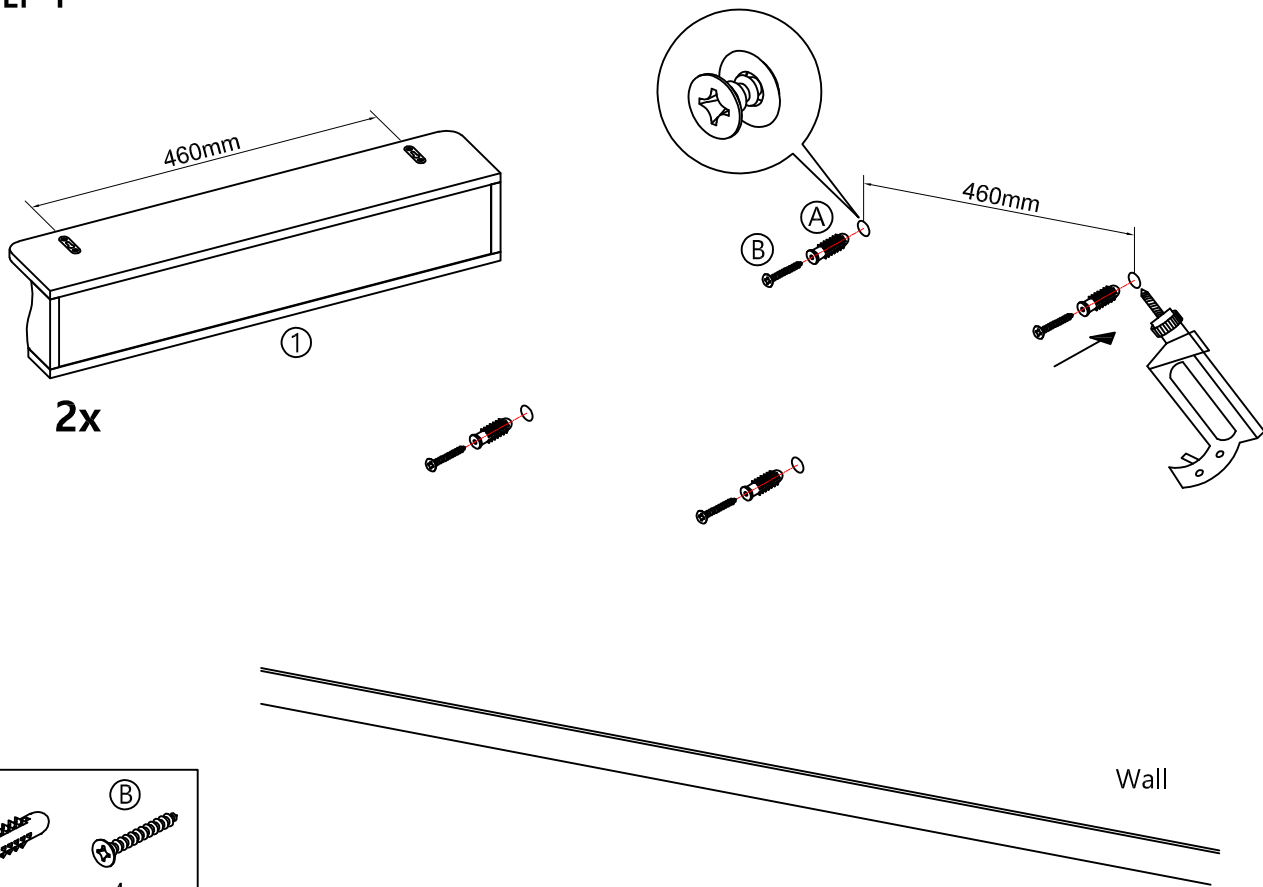
Phillips Head Screwdriver  
 (Not included)

# ASSEMBLY INSTRUCTIONS

adairs kids

## 56675 - WILLOW WALL BOOKSHELF PACK 2

### STEP 1



### STEP 2

