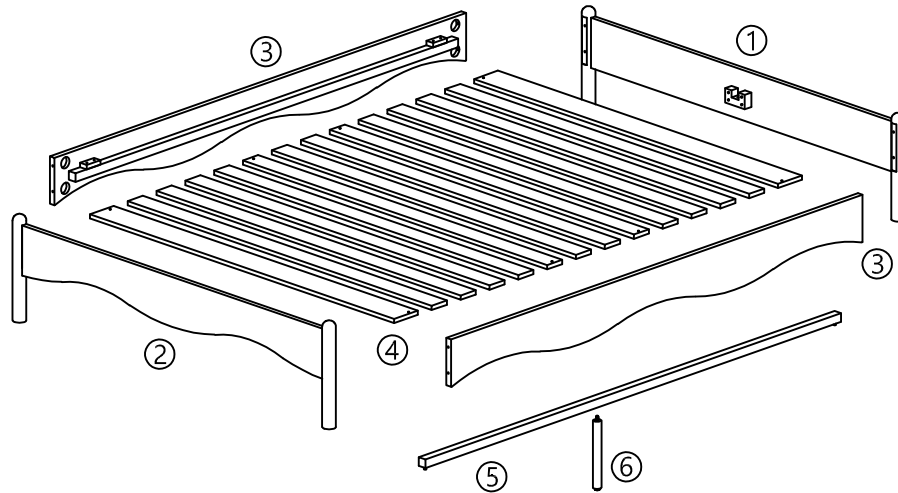


ASSEMBLY INSTRUCTIONS SADIE BED BASE DOUBLE

Please read instructions carefully. Remove all wrapping material, staples and packing straps from the carton. See hardware and furniture parts list for guidance. Be sure you have all parts before you start assembling. Place all wooden furniture parts on a clean flat soft surface, such as carpet or rug to prevent from being scratched.

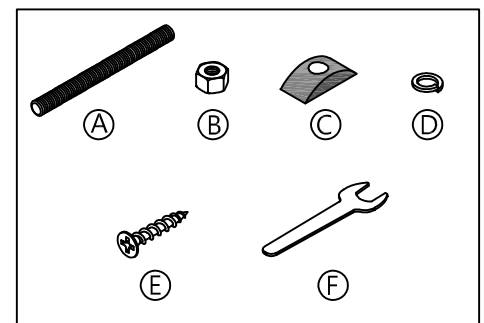
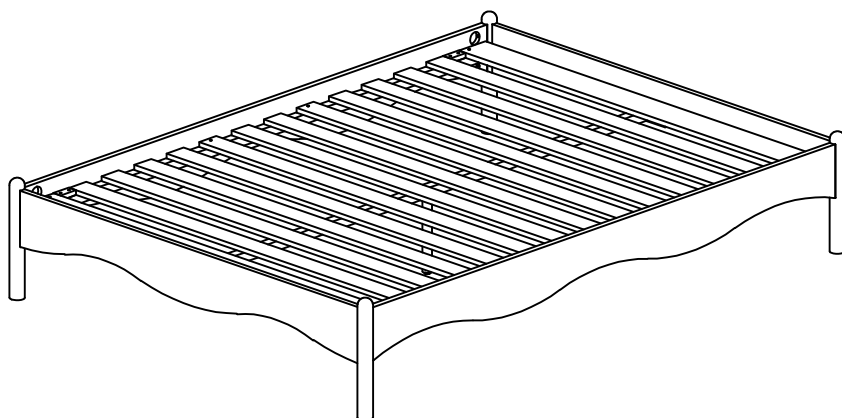


PARTS INCLUDED

1. Head board	: 1pc
2. Foot board	: 1pc
3. Side rail	: 2pcs
4. Rail	: 1pc
5. Metal support	: 1pc
6. Metal leg	: 1pc

HARDWARE LIST

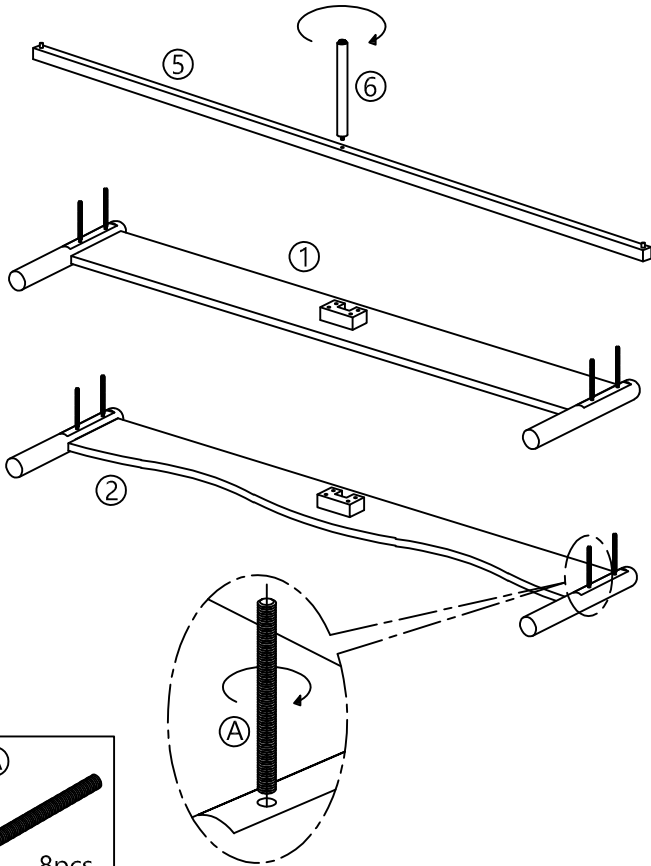
A. Bolt joint	: 8pcs
B. Nut	: 8pcs
C. Half moon bracket	: 8pcs
D. Spring washer	: 8pcs
E. Screw	: 8pcs
F. Spanner	: 1pc



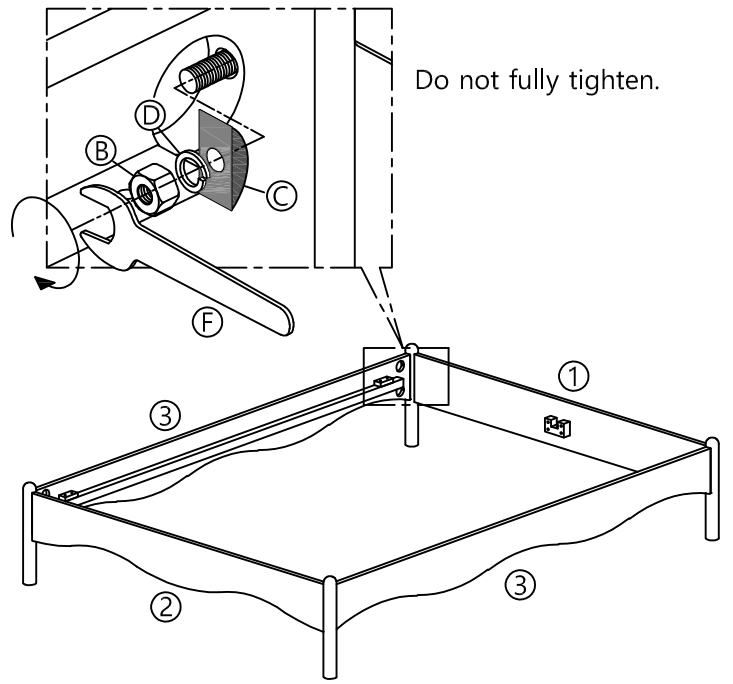
ASSEMBLY INSTRUCTIONS SADIE BED BASE DOUBLE

adairs

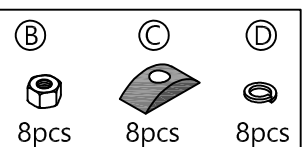
STEP 1



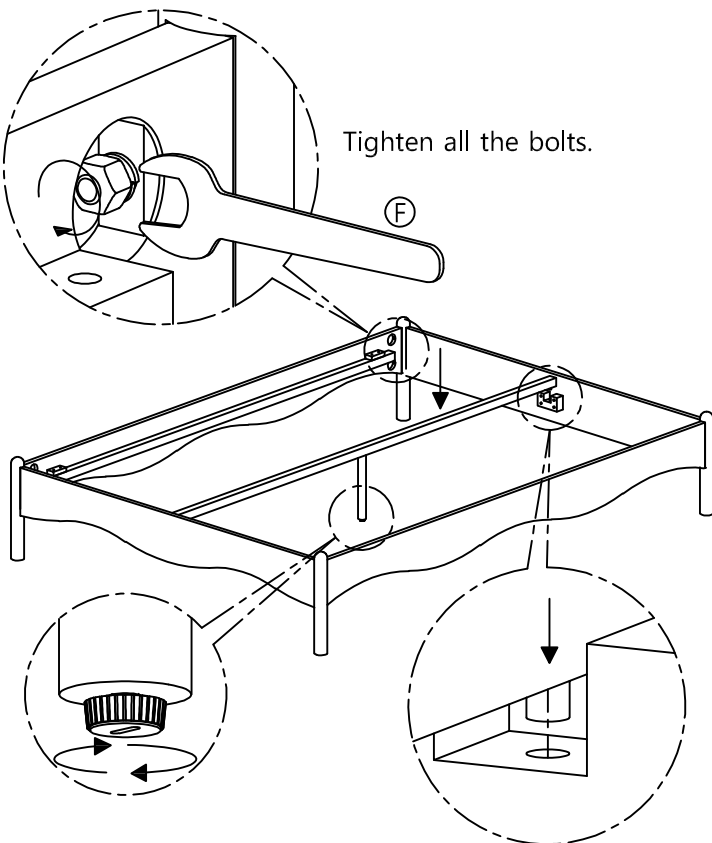
STEP 2



Do not fully tighten.

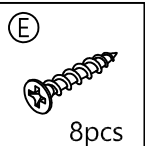
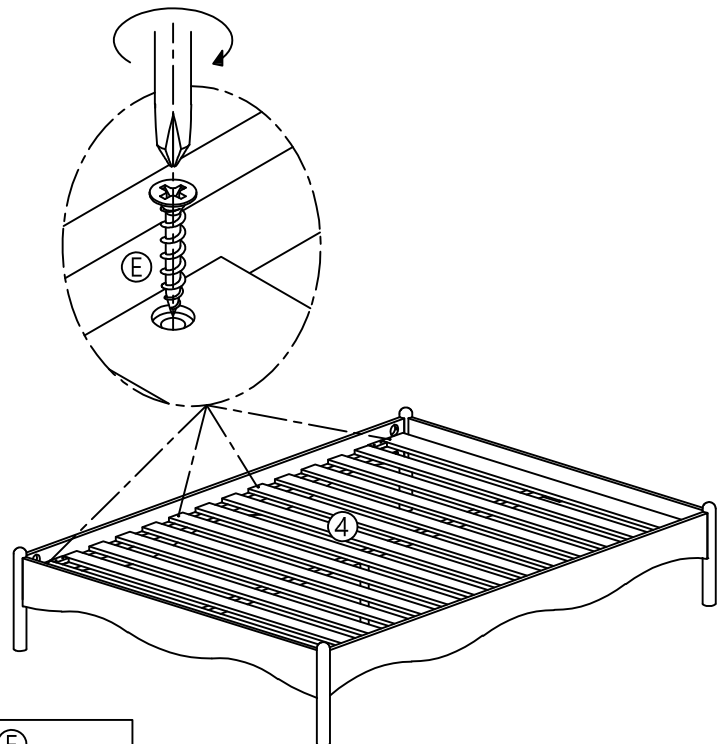


STEP 3



Tighten all the bolts.

STEP 4



Double - x 4 screws each side