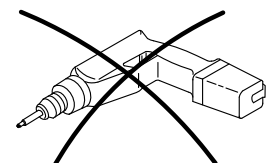
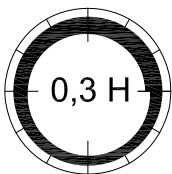
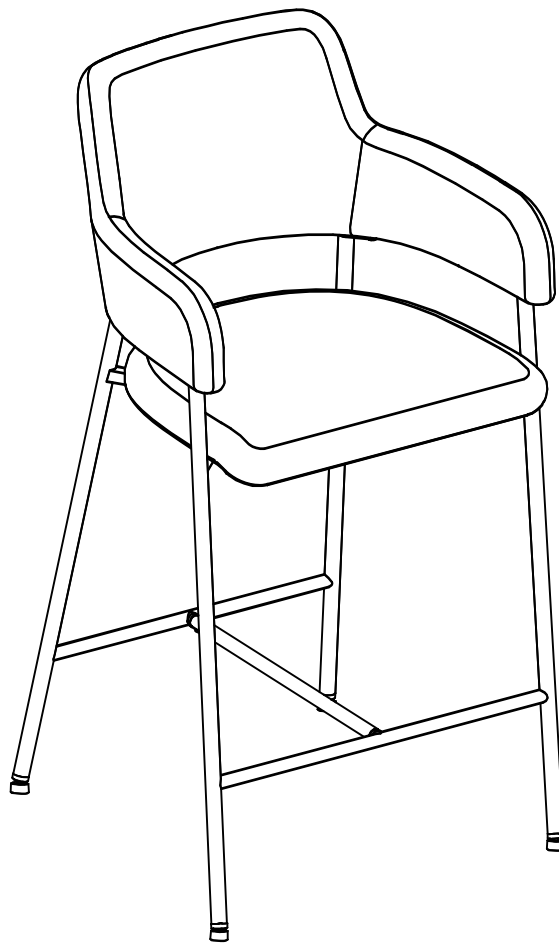


ASSEMBLY INSTRUCTIONS

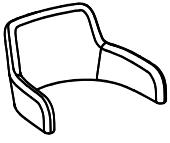
RHODES COUNTER CHAIR

Please read instructions carefully. Remove all wrapping material and packing from the carton. See hardware and furniture parts list for guidance. Be sure you have all parts before you start to assemble the product. Place all furniture parts on a clean surface, such as carpet or rug to prevent the item from being scratched.



Part list:

1 x Part 1



Back

1 x Part 2



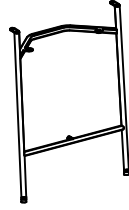
Seat

1 x Part 3



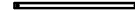
Leg Back

1 x Part 4



Leg Front

1 x Part 5



Rail Leg

Hardware list:

Ax4



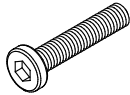
Bolt
M6x16

Bx2



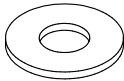
Bolt
M6x12

Cx2



Bolt
M6x30

Dx4



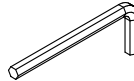
Washer
Ø6/Ø18

Ex2



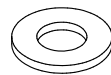
Spring washer
Ø6

Fx1



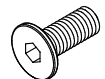
Allen key
4mm

Gx2

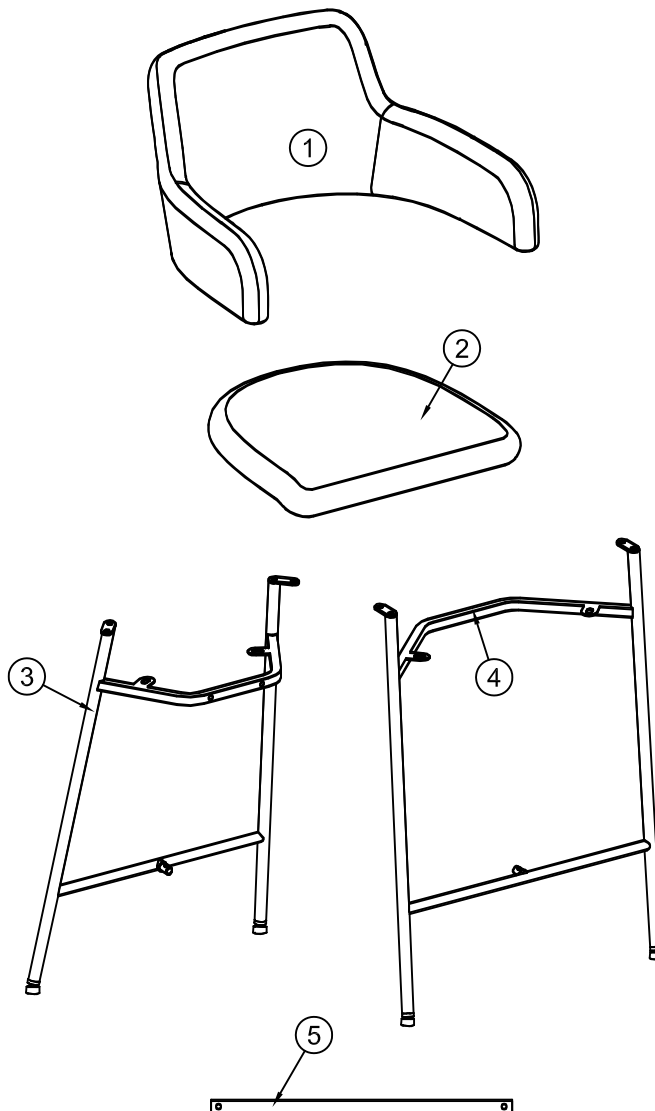


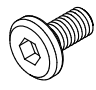
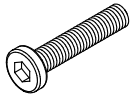
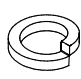
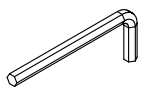
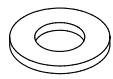
Washer
Ø6/Ø14

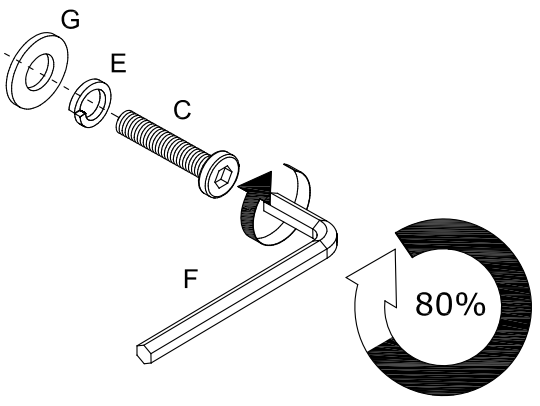
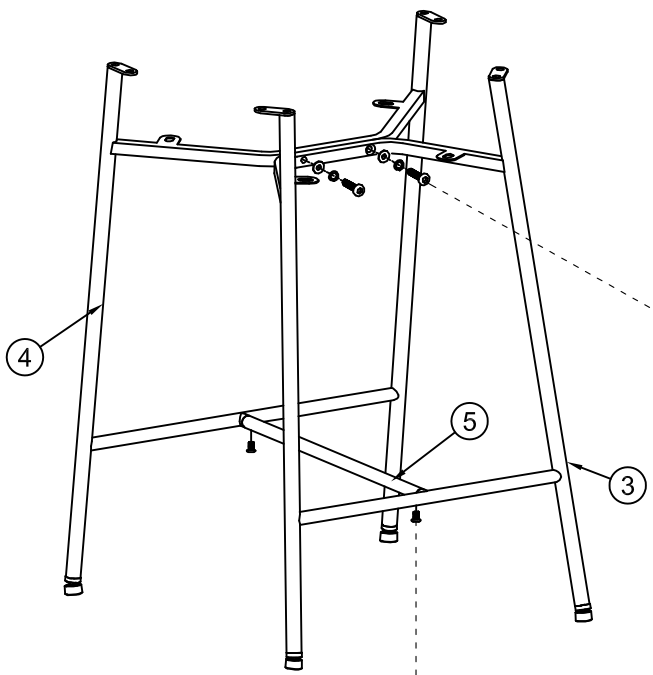
Hx4



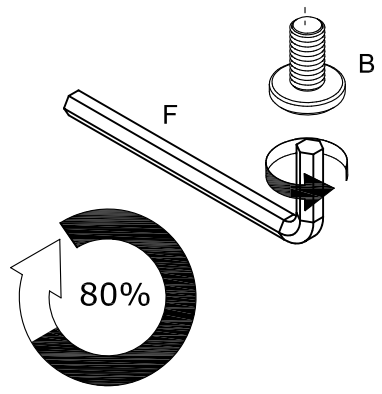
Bolt
M6x16




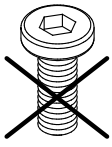
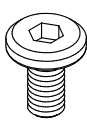
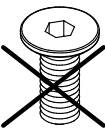
Bx2  M6x12mm	Cx2  M6x30mm	Ex2  Ø6mm	Fx1  4mm	Gx2  Ø6/Ø14mm
---	---	--	---	--



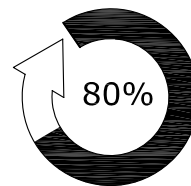
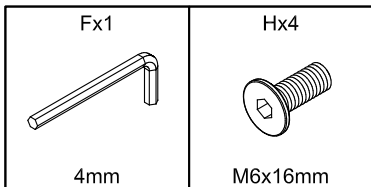
TIGHTEN BOLTS TO 80%.



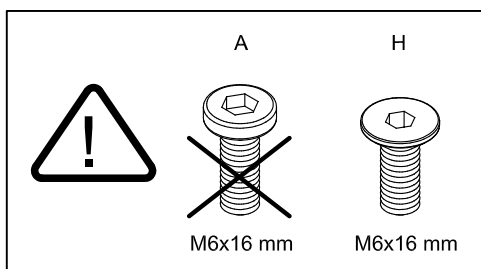
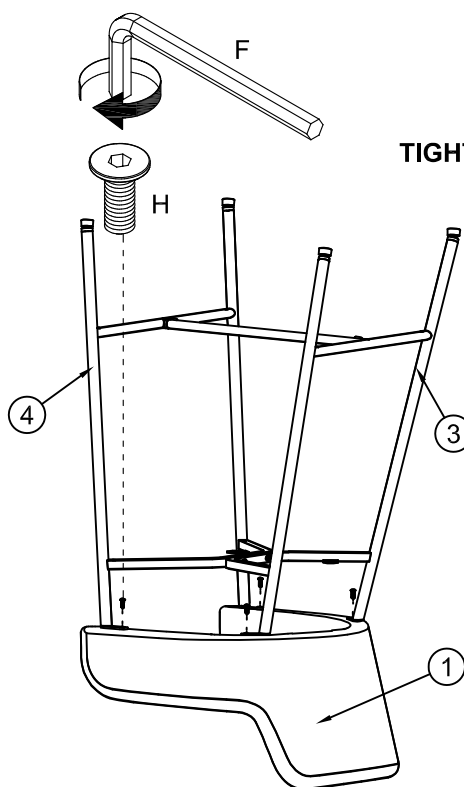
TIGHTEN BOLTS TO 80%.

	A  M6x16 mm	B  M6x12 mm	H  M6x16 mm
---	---	--	--

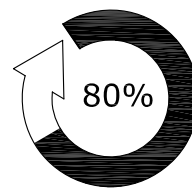
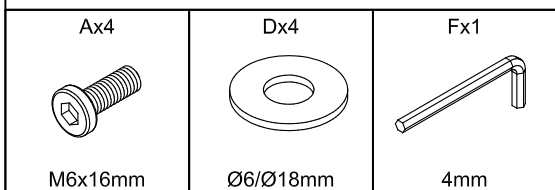
2



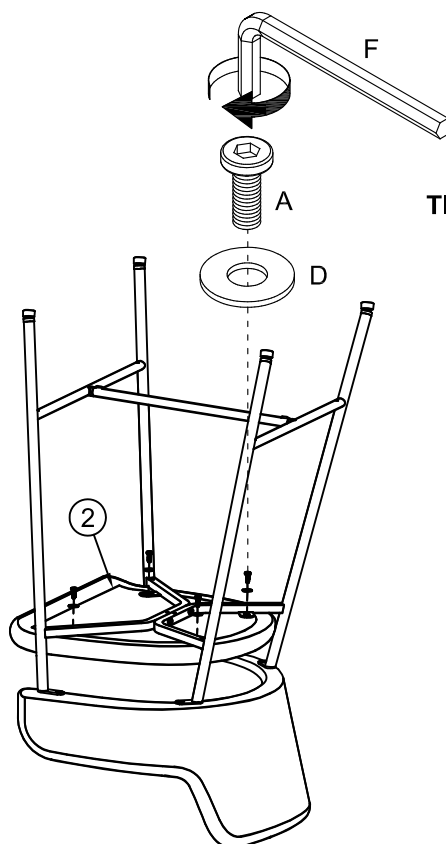
TIGHTEN BOLTS TO 80%.



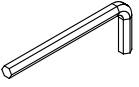
3



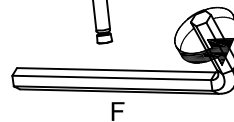
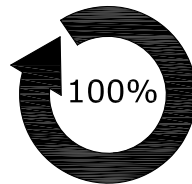
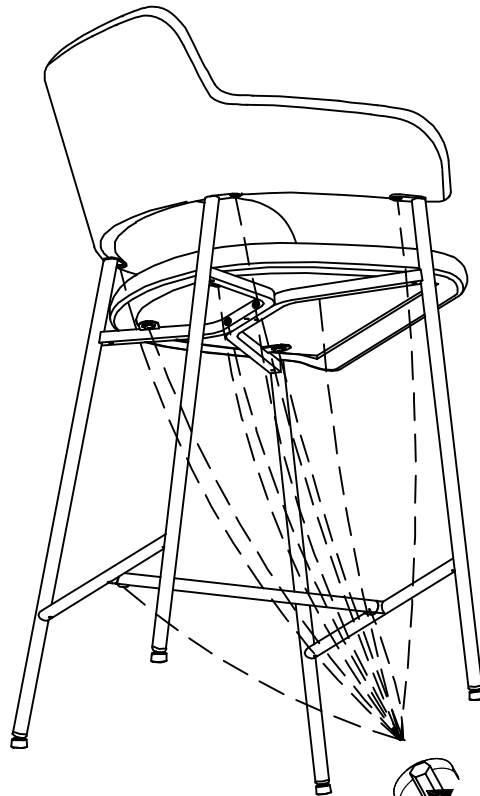
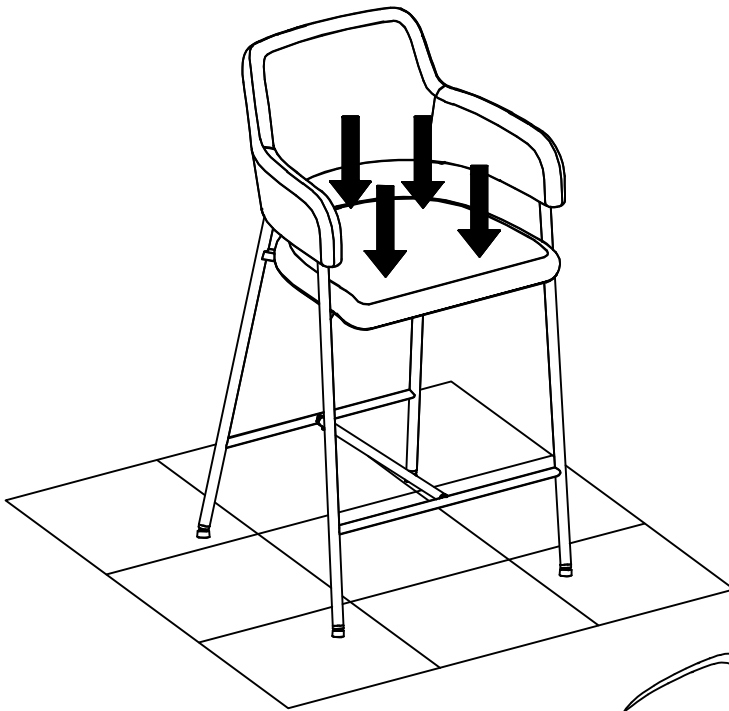
TIGHTEN BOLTS TO 80%.



Fx1



4mm



NOW TIGHTEN BOLTS TO 100%