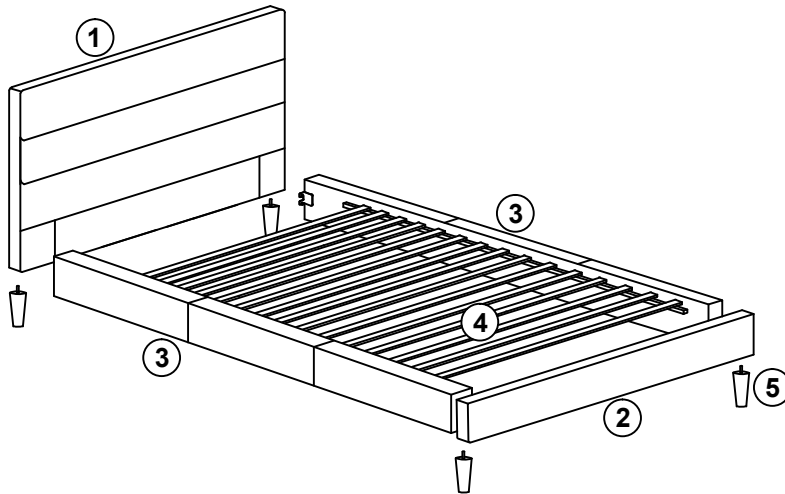


ASSEMBLY INSTRUCTIONS

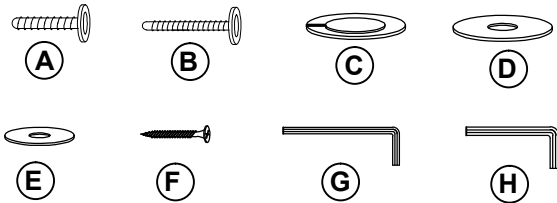
45424 - AK DARCY FURNITURE COLLECTION SINGLE BED

Please read instructions carefully. Remove all wrapping material, staples and packing straps from the carton. See Parts List and Hardware List for guidance. Be sure you have all parts before you start assembling. Place all wooden furniture parts on a clean and flat soft surface, such as carpet or a rug to prevent from being scratched.



PART LIST

1. HEADBOARD	: 1pc
2. FOOTBOARD	: 1pc
3. SIDE RAIL	: 2pcs
4. LVL SLATS	: 15pcs
5. BED LEG	: 4pcs



HARDWARE LIST

A. JCBB M8 X 40mm	: 8pcs
B. JCBC M6 X 50mm	: 6pcs
C. SPRING WASHER $\frac{5}{16}$ "	: 14pcs
D. FLAT WASHER $\frac{5}{16}$ "	: 8pcs
E. FLAT WASHER $\frac{1}{4}$ "	: 6pcs
F. CSK M4 X 30mm	: 24pcs
G. ALLEN KEY M4	: 1pc
H. ALLEN KEY M5	: 1pc

FOR ASSEMBLY

- First, check the content to make sure that nothing is missing.
- Sort out the parts and fittings as shown.
- Assemble the product step by step.
- It is preferable to rest the product on a soft surface to avoid damage during assembly.
- Do not overtighten screws and fittings.
- Re-tighten all screws and fittings periodically.
- > You will need a philips screwdriver to complete this assembly.

adairs kids

ASSEMBLY INSTRUCTIONS

45424 - AK DARCY FURNITURE COLLECTION
SINGLE BED

STEP 1

STEP 2

A

8 pcs

C

8 pcs

D

8 pcs

H

1 pc

STEP 3

B

6 pcs

C

6 pcs

E

6 pcs

G

1 pc

STEP 4

F

24 pcs